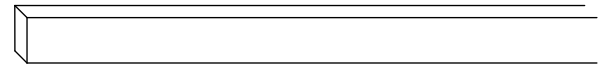
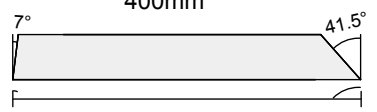
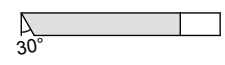
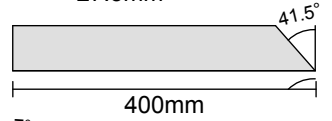
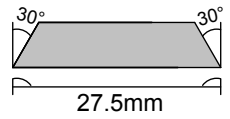


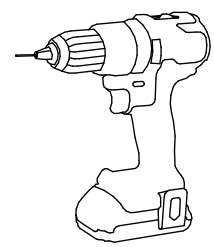
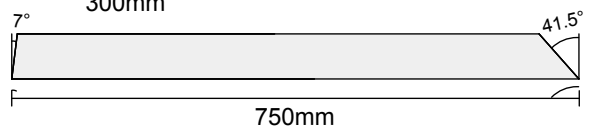
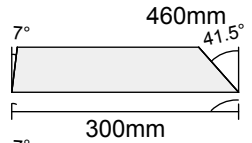
# 01 Materials + sizes stool



60mm x 28mm laths



of



Cordless Drill



Wood Glue

70mm Screws

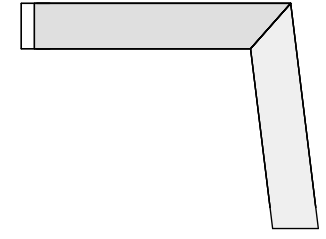


100mm Screws

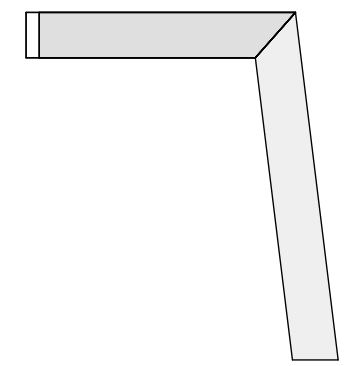


# 02 Hight stool

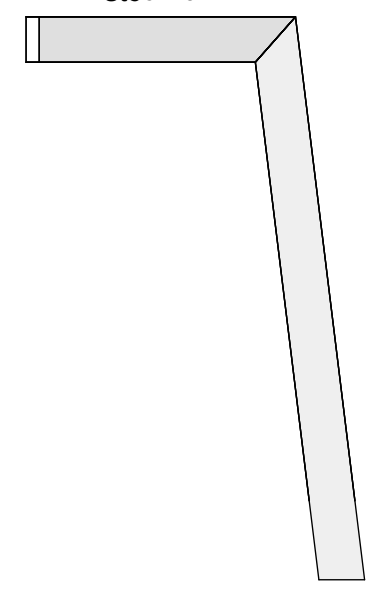
Stool 30



Stool 46

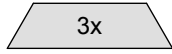


Stool 75

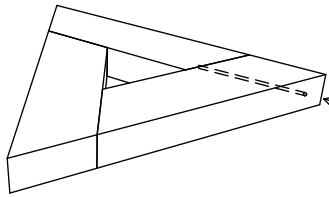
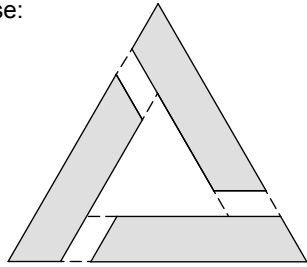


# 03 First step...

Use:

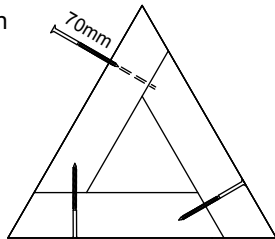


1. Compose:



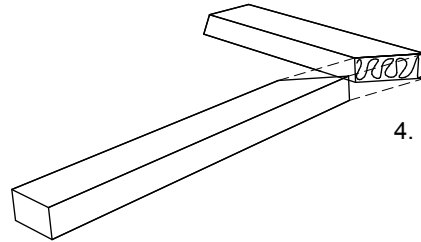
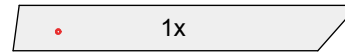
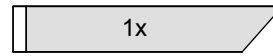
2. pre-drill all parts

3. Screw down

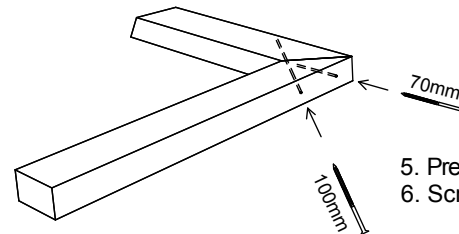
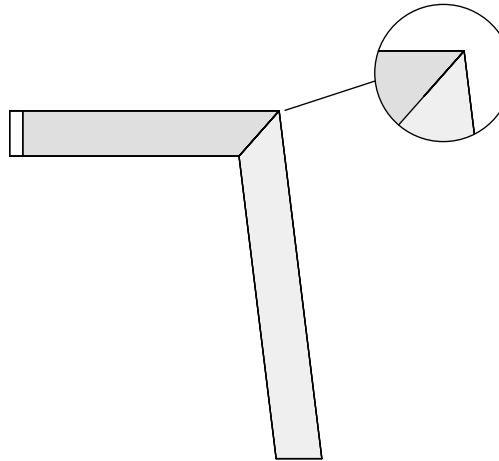


# 04 Almost...

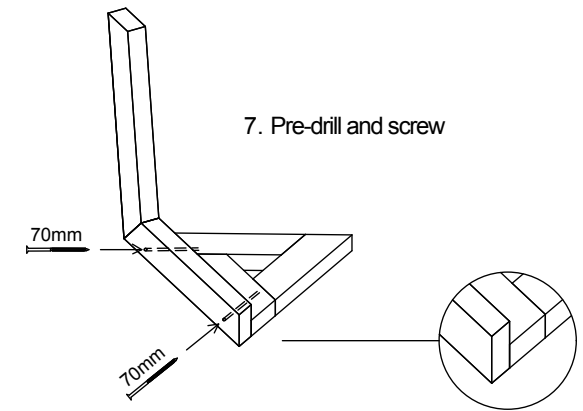
Now we use:



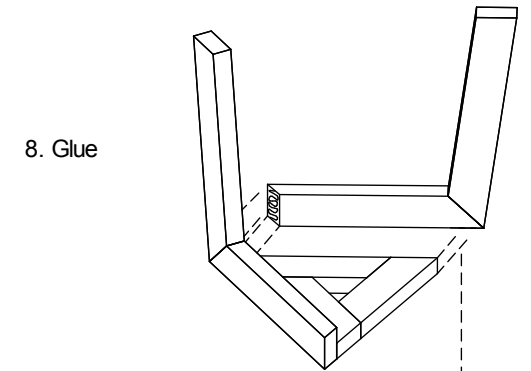
4. Glue



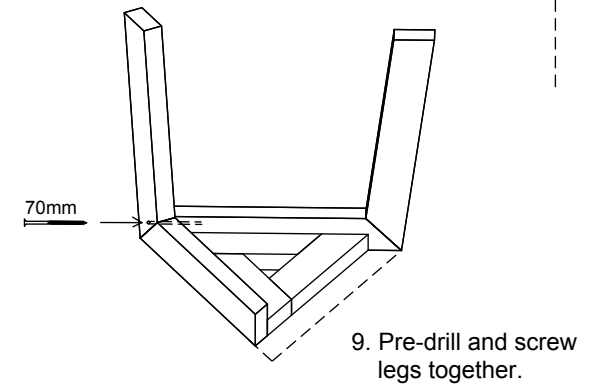
5. Pre-drill  
6. Screw



7. Pre-drill and screw



8. Glue



9. Pre-drill and screw legs together.

All three parts together and...

**3x**

**... done!**